



Xuzhou RITMAN Equipment Co., Ltd. is an intelligent equipment company (Short name "RITMAN Intelligent", English name "RITMAN"). RITMAN with the mission of "intelligent, digital, and trouble-free production", the company is a national high-tech enterprise and National-Level SRDI "Little Giant" Enterprise. Relying on strong R&D and production strength, the company focuses on the sales and service of laser cutting equipment. The main products include: laser plate cutting machine, laser tube cutting machine, large format customized laser cutting machine, laser plate & tube integrated machine, sheet coil laser cutting machine, 3D laser cutting machine, handheld laser welding machine, automated laser welding equipment, robot laser welding machine and other equipment. We are willing to work with our partners for mutual benefit and win-win situation!

徐州瑞马智能技术股份有限公司是一家智能装备企业（简称“瑞马智能”，英文名“RITMAN”）。公司以“工业生产智能化、数字化、无忧化”为使命，是国家级高新技术企业、国家级专精特新“小巨人”企业。公司依托强大的研发生产实力，专注于激光切割设备以及上下游设备的销售与服务，主要产品包括：激光切板机、激光切管机、大幅面定制型激光切割机、激光板管一体机、卷材激光切割机、三维激光切割机、手持激光焊接机、自动化激光焊接设备、机器人激光焊接机等设备。愿与广大合作伙伴互利互惠，共创共赢！



认真 · 开放 · 勇气 · 责任
Earnest · Openness · Courage · Responsibility



RITMAN Laser has more than 100 R&D engineers. It has a technical R&D team composed of a doctoral team from Dalian University of Technology and a master's team from Southeast University, as well as perfect research laboratory facilities and equipment. RITMAN with strong R&D technical strength, the R&D Technology Center has obtained a total of 64 invention patents, 10 authorizations, 59 utility models, 28 soft publications, and 12 professional papers.

瑞马激光拥有研发技术工程师100余名，同时拥有包括大连理工大学博士生团队和东南大学硕士生团队组成的技术研发团队以及完善的科研实验设施设备。自公司成立以来，凭借强劲的研发技术实力加持，研发中心累计获得发明专利实审64项、授权10项，实用新型59项、软著28项、发表专业论文12篇。



100+ Technical Team
技术团队

Ph.D. Specialist Senior Engineer
博士 专家 高级工程师

200+ Invention patent
专利

Xuzhou RITMAN Equipment Co.,LTD

☎ 400-006-3106

✉ James@sinatoritman.com

🌐 www.ritman-laser.com

📍 Chuangye Road 35# Xuzhou Economic Development Zone, Jiangsu, China

徐州瑞马智能技术股份有限公司

☎ 0516-83059893

🌐 http://www.ritmanlaser.com

📍 江苏徐州经济开发区创业路35号

3000-20000W

RM-LC TT Series

3 Chuck Laser Pipe Cutting Machine
3卡盘激光切管机

3 Chuck Laser Pipe Cutting Machine

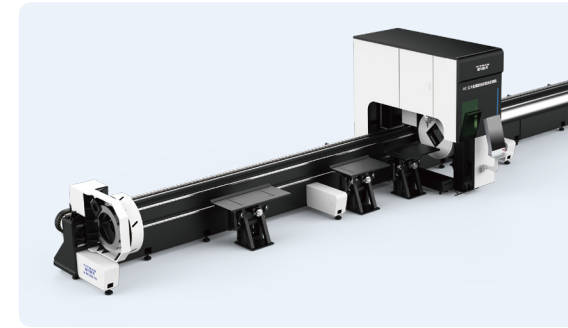
3卡盘激光切管机



RM-LC TT						
Model 机型	RM-LC TT9024	RM-LC TT9036	RM-LC TT12024	RM-LC TT12036	RM-LC TT12048	RM-LC TT12052
Power 功率	3000W-20000W	3000W-20000W	3000W-20000W	3000W-20000W	3000W-20000W	3000W-20000W
Pipe size range 加工管径	∅/∅: 10-240mm	∅/∅: 20-360mm	∅/∅: 10-240mm	∅/∅: 20-360mm	∅/∅: 30-480mm	∅/∅: 60-520mm
The maximum length of machinable pipes 可加工管的最大长度	9000mm	9000mm	12000mm	12000mm	12000mm	12000mm
Shortest remaining material 最短废料	0	0	0	0	0	0
Maximum weight of pipes 管材的最大重量	300kg	800kg	300kg	800kg	1600kg	2000kg
Positioning accuracy 定位精度	±0.05mm	±0.05mm	±0.05mm	±0.05mm	±0.05mm	±0.05mm
Repetitive positioning accuracy 重复定位精度	±0.03mm	±0.03mm	±0.03mm	±0.03mm	±0.03mm	±0.03mm

Product Advantages

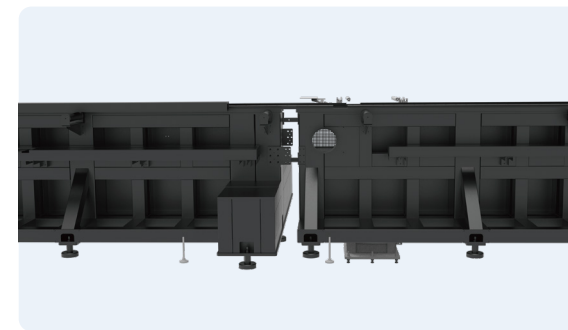
产品优势



Side Hung Bed

侧挂式床身

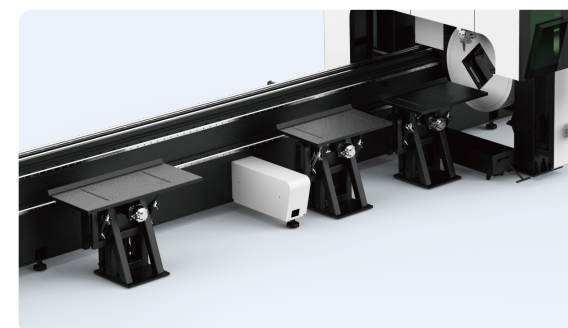
Adopting an L-shaped side hanging structure, automatic loading and unloading, and a follow-up support device for convenient layout and implementation; The center of gravity of the whole machine is lower than that of the regular installation, with smooth operation and high accuracy; Precision components such as guide rails and racks are easy to maintain, with higher dust prevention and safety compared to traditional ones. 采用L型侧挂式结构, 自动上下料、随动支撑装置方便布置及实现; 整机重心较正装式低, 运转平稳, 精度高; 导轨、齿条等精密件易维护, 防尘及安全性较正装式高。



Modular structure

模块化结构

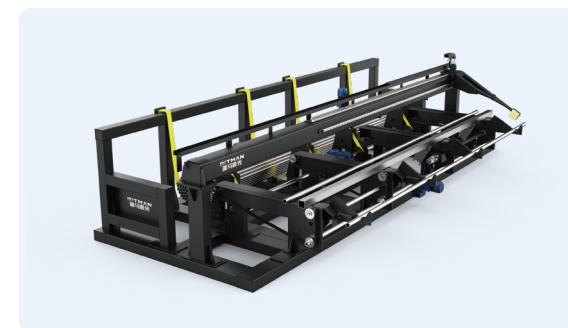
Adopting a modular splicing structure, the length of loading and unloading can be freely combined and spliced. 采用模块化拼接结构, 上料长度和下料可自由组合拼接。



Floating Cutting

浮动下料装置

The floating feeding device, during the cutting of square and rectangular pipes, the floating support platform will follow the pipe up and down during the rotation process, better supporting the steel and ensuring cutting accuracy and quality. 浮动下料装置, 在切割方管 and 矩形管时, 旋转过程中浮动支撑台会跟随管材上下浮动, 更好的托住钢材, 保证切割精度和质量。



Fully Automatic Loading And Unloading Device

全自动上下料

Optional semi-automatic/fully automatic loading and unloading devices can improve work safety, reduce the risk of injury, and reduce the workload of workers. 可选配半自动/全自动上下料装置, 提高工作安全性, 降低受伤危险, 减轻工作人员工作, 提高工作效率。

CUTTING SAMPLES

切割样品



APPLICATION FIELDS

应用领域

